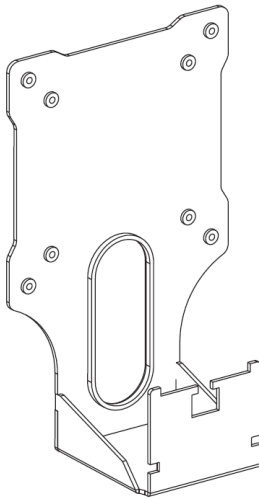




---

## VESA Adapter for Compatible Dell Monitors

### Instruction Manual



**SKU: MOUNT-DL02**



Scan the QR code with your mobile device or follow the link for helpful videos and specifications related to this product.

<https://vivo-us.com/products/mount-dl02>

---

GET IN TOUCH | Monday-Friday from 7:00am-7:00pm CST



help@vivo-us.com



www.vivo-us.com  
*Chat live with an agent!*



309-278-5303

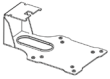
 **WARNING!**

If you do not understand these directions, or if you have any doubts about the safety of the installation, please call a qualified technician. Check carefully to make sure there are no missing or defective parts. Improper installation may cause damage or serious injury. Do not use this product for any purpose that is not explicitly specified in this manual. Do not exceed weight capacity. We cannot be liable for damage or injury caused by improper mounting, incorrect assembly or inappropriate use.

 **WARNING: CHOKING HAZARD**

SMALL PARTS - NOT FOR CHILDREN UNDER 3 YEARS. ADULT SUPERVISION IS REQUIRED.

**PACKAGE CONTENTS**



**a** (x1)  
Adapter Bracket



**b** (x4)  
M4x12 Thumb Bolt



**c** (x2)  
M4x75mm Bolt



**d** (x2)  
Rubber Pad

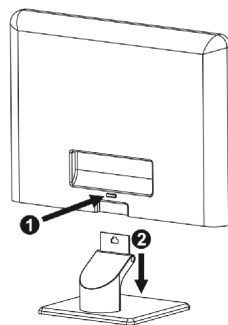
**TOOLS NEEDED**



# ASSEMBLY STEPS

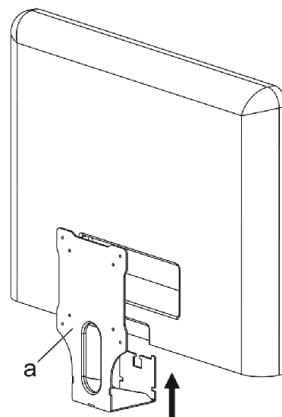
## STEP 1

Press and hold the release button above the base on the back of the monitor. Then pull the base away from the monitor.



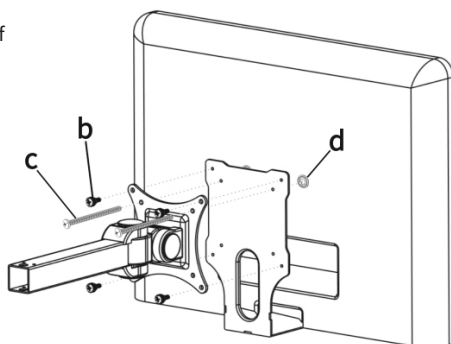
## STEP 2

Align the adapter bracket **(a)** to the monitor slot. Insert bracket into the monitor until it locks into place.



## STEP 3

Connect the VESA plate to the adapter bracket **(a)** using thumb bolts **(b)**. Partially insert M4x75mm bolts **(c)** into top two unused holes of the VESA plate and adapter. Place rubber pads **(d)** on the ends of the bolts, and tighten until pads press lightly against the monitor.





Open **Monday - Friday 7:00am - 7:00pm** CST,

our dedicated support team can offer immediate assistance with rapid response times. If any parts are received damaged or defective, please contact us. We are happy to replace parts to ensure you have a fully functioning product.


 [help@vivo-us.com](mailto:help@vivo-us.com)

**AVG. RESPONSE TIME** (*within office hrs*): **1HR 8M**

- 23% within < 15m
- 38% within < 30m
- 61% within < 1hr
- 83% within < 2hr
- 92% within < 3hr

 [www.vivo-us.com](http://www.vivo-us.com)  
*Chat live with an agent!*

**AVG. RESOLUTION TIME** (*within office hrs*): **< 15 M**

 309-278-5303

**AVG. RESOLUTION TIME** (*within office hrs*): **5M 4S**